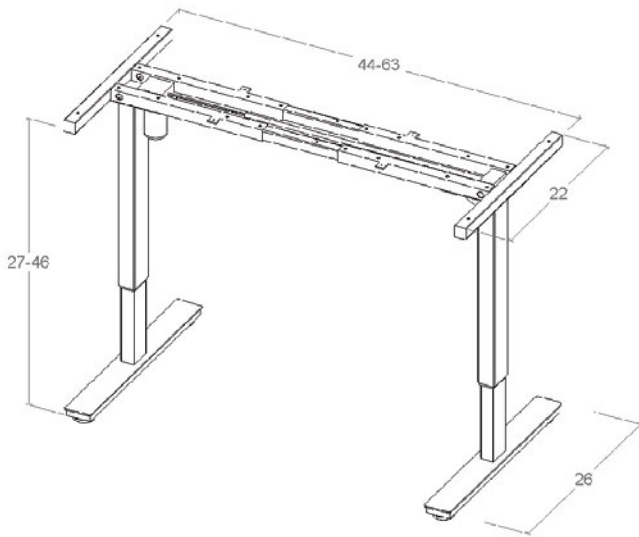


2018
Activate
Standing Desks



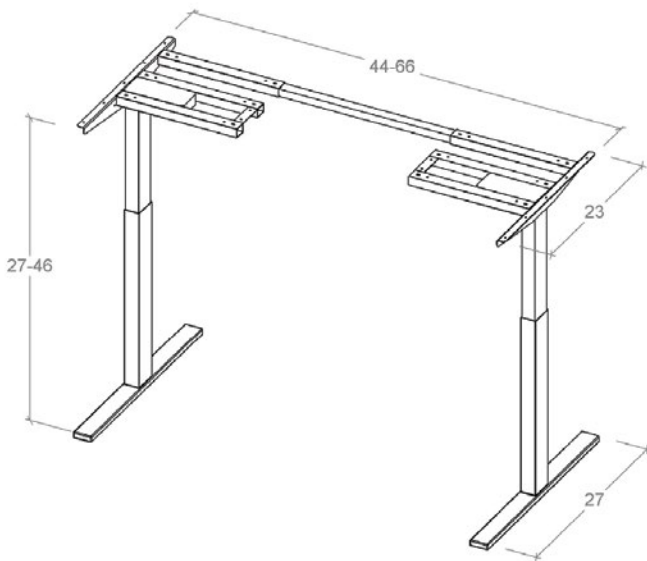
Bases



2 Leg Single Motor

	MODEL	LIST
Sit/Stand Single Motor Straight Desk Base	ASD-2LEG-1M	\$1,336

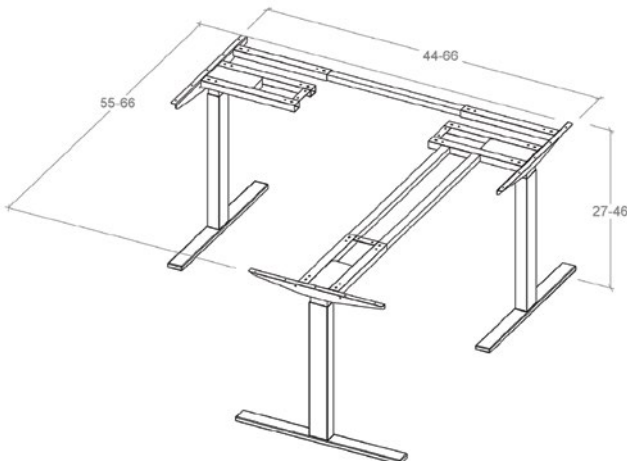
Stocked in Black (BK)
White (WH) and Grey (GR) available on request



2 Leg Dual Motor

	MODEL	LIST
Sit/Stand Dual Motor Straight Desk Base	ASD-2LEG-2M	\$1,650

Stocked in Grey (GR)
White (WH) and Black (BK) available on request



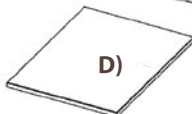
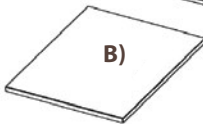
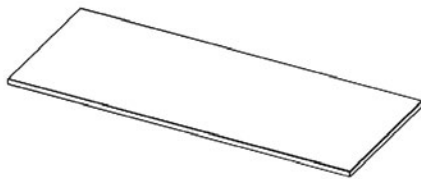
3-Leg

	MODEL	LIST
Sit/Stand Triple Motor L-Desk Base	ASD-3LEG-3M	\$2,672

Stocked in Grey (GR)
White (WH) and Black (BK) available on request



2- Leg Top Options



	MODEL	LIST
24x48" Rectangular Table Top	3737-2448	\$227
24x60" Rectangular Table Top	3737-2460	\$245
24x72" Rectangular Table Top	3737-2472	\$258
30x48" Rectangular Table Top	3737-3048	\$227
30x60" Rectangular Table Top	3737-3060	\$258
30x72" Rectangular Table Top	3737-3072	\$295

3- Leg Top Options

	MODEL	LIST
J-Table Top	A) 3384T-403072	\$427
24x32" Rectangular Table Top	B) 3737-2432	\$203
Extended Corner Top	C) 3135T-403072	\$487
24x32" Rectangular Table Top	D) 3737-2432	\$203

*Other tops available - contact us for pricing

*Additional \$62 list to add grommet cutout

2018
Activate
Standing Desks Catalogue



All of Belair's products are made of commercial grade melamine with finish on both sides of all panels. Tops and ends are one inch thick with 2mm PVC edgebanding that can be colour matched to any of our 15 colours. The materials used in our manufacturing process are durable and affordable and have been the leading standard in the office furniture industry for many years.

A Note on Safety

It is suggested that the design and placement of Activate Standing Desks allows for appropriate distances between movable surfaces in order to avoid risk of injury. Pinch points in which fingers, arms, and legs can be caught between should be avoided at all times.