

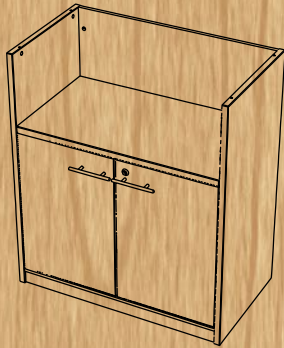
2018

# Collaboration

Centres Catalogue



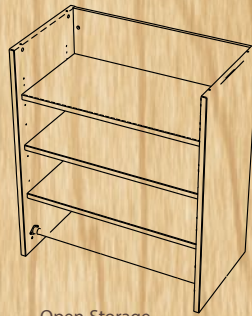
## Base Options



Storage



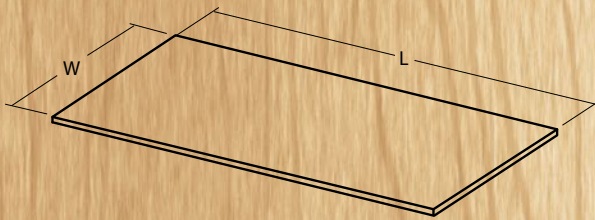
File



Open Storage

	MODEL	LIST
30" Storage - two doors, open cubby upper	A65-3042-0	\$617
36" Storage - two doors, open cubby upper	A65-3642-0	\$686
30" File - two file drawers, open cubby upper	A62-3002-0	\$814
36" File - two file drawers, open cubby upper	A62-3602-0	\$888
30" Open Storage with foot rail - three adjustable shelves	A50-3042-0	\$613
36" Open Storage with foot rail - three adjustable shelves	A50-3642-0	\$669

## Centre Tops

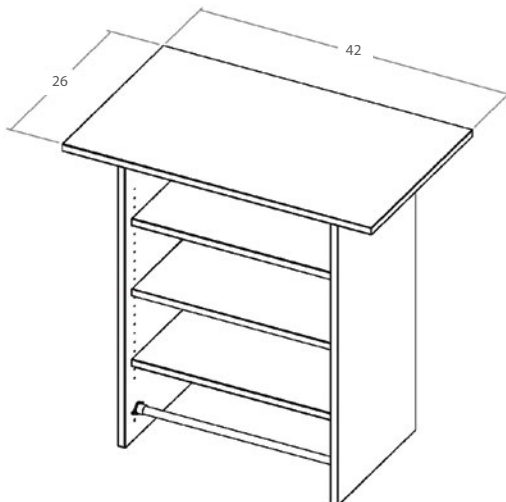


	MODEL	LIST	WHITE BOARD TOP LIST *
20x30" Touchdown Point Top	A2642CTOP	\$149	\$277
20x36" Touchdown Point Top	A2648CTOP	\$169	\$315
40x30" Exchange Terminal Top	A4642CTOP	\$235	\$438
40x36" Exchange Terminal Top	A4648CTOP	\$267	\$499
20x60" Planning Station Top	A2672CTOP	\$249	\$468
20x66" Planning Station Top	A2678CTOP	\$269	\$507
20x72" Planning Station Top	A2684CTOP	\$289	\$544
40x60" Meeting Centre Top	A4672CTOP	\$393	\$742
40x66" Meeting Centre Top	A4678CTOP	\$424	\$803
40x72" Meeting Centre Top	A4684CTOP	\$455	\$863

\* add -WB to part # to specify White Board top

\* all white board tops will come with edging that matches the base colour.

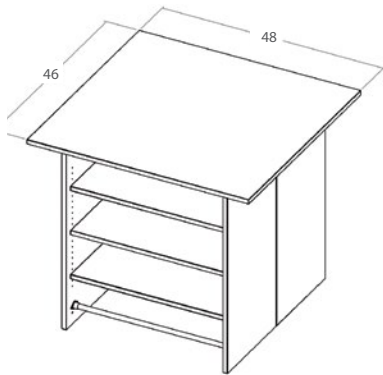
## Touchdown Point 30"



A perfect place for quick, informal, meetings on the go. Suitable for 2 - 3 people. Available in two sizes with 1 base beneath. Choose from 3 base options.

PIECES	LIST
A50-3042-0	\$613
A2642CTOP	\$149
<b>TOTAL</b>	<b>\$762</b>

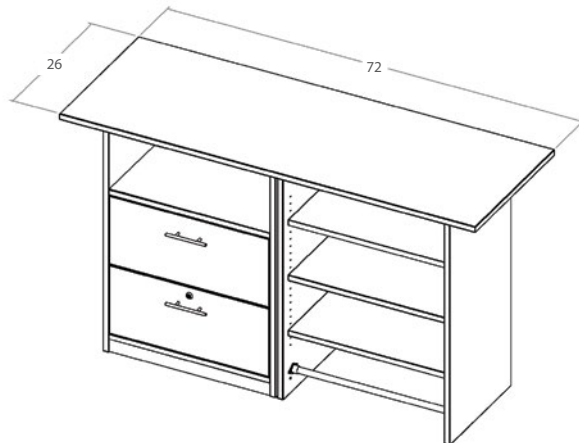
## Exchange Terminal 36"



PIECES	LIST
A50-3642-0	\$669
A50-3642-0	\$669
A4648CTOP	\$267
TOTAL	\$1,605

A practical, multi-purpose centre, wider than the Touchdown Point, great for small meetings with room for 3 - 4 people to gather around. Available in two sizes with two bases beneath. Choose from 3 base options.

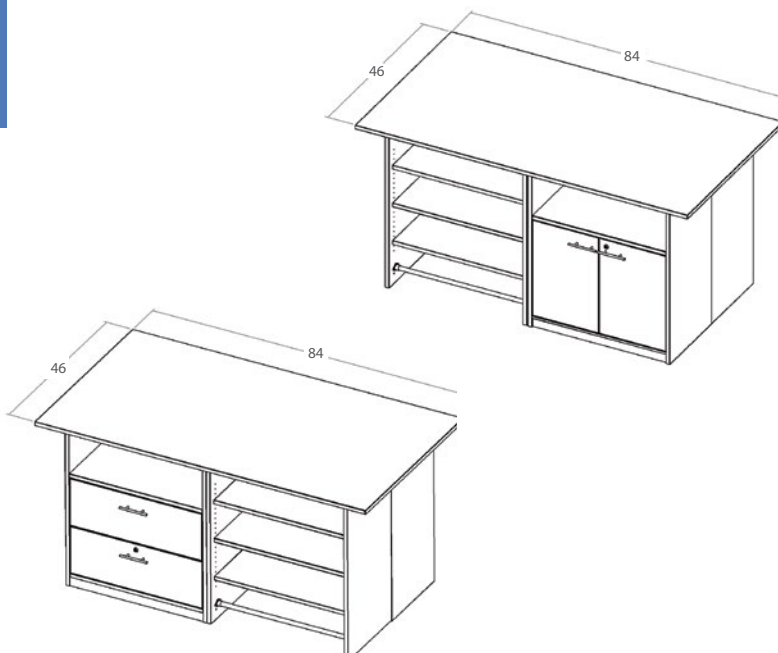
## Planning Station 60"



A great spot for organizing, planning and brainstorming with 4 - 6 people. Available in three sizes with your choice of two bases beneath. Choose from 3 base options.

PIECES	LIST
A62-3002-0	\$814
A50-3042-0	\$613
A2672CTOP	\$249
TOTAL	\$1,676

## Meeting Centre 72"



A dynamic working centre, great for empowering team meetings with plenty of room for 6 - 8 people. Available in three sizes with your choice of 4 bases beneath. Choose from 3 base options.

PIECES	LIST
A62-3602-0	\$888
A50-3642-0	\$669
A50-3642-0	\$669
A65-3642-0	\$686
A4684CTOP	\$455
TOTAL	\$3,367

## How to Order:

STEP 1: SELECT CENTRE	STEP 2: CHOOSE TABLE TOP*	STEP 3: CHOOSE BASE PIECES
Touchdown Point: 30" with one 30" base	A2642CTOP	<b>BASE OPTIONS 30"</b>
Touchdown Point: 36" with one 36" base	A2648CTOP	Storage A65-3042-0
Exchange Terminal: 30" with two 30" bases	A4648CTOP	File A62-3002-0
Exchange Terminal: 36" with two 36" bases	A4648CTOP	Open Storage A50-3042-0
Planning Station: 60" with two 30" bases	A2672CTOP	<b>BASE OPTIONS 36"</b>
Planning Station: 66" with one 30" base and one 36" base	A2678CTOP	Storage A65-3642-0
Planning Station: 72" with two 36" bases	A2684CTOP	File A62-3602-0
Meeting Centre: 60" with four 30" bases	A4672CTOP	Open Storage A50-3642-0
Meeting Centre: 66" with two 30" bases and two 36" bases	A4678CTOP	
Meeting Centre: 72" with four 36" bases	A4684CTOP	

\* add - WB to part # to specify White Board top.

## 2018 Collaboration Centres Catalogue



All of Belair's products are made of commercial grade melamine with finish on both sides of all panels. Tops and ends are one inch thick with 2mm PVC edgebanding that can be colour matched to any of our 16 colours. All box and file drawers feature smooth-running full suspension tracks. Units include adjustable leveling glides. The materials used in our manufacturing process are durable and affordable and have been the leading standard in the office furniture industry for many years.