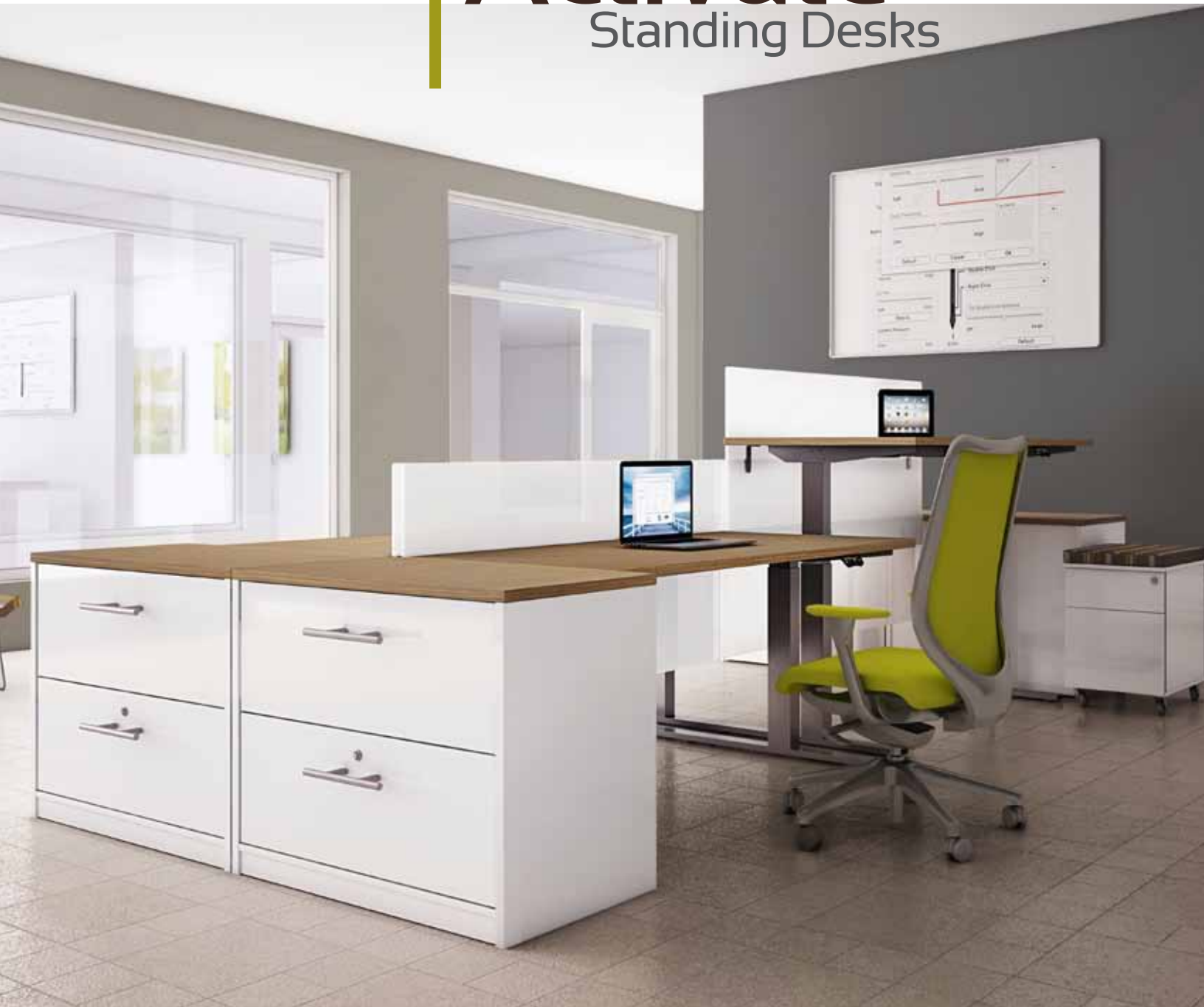
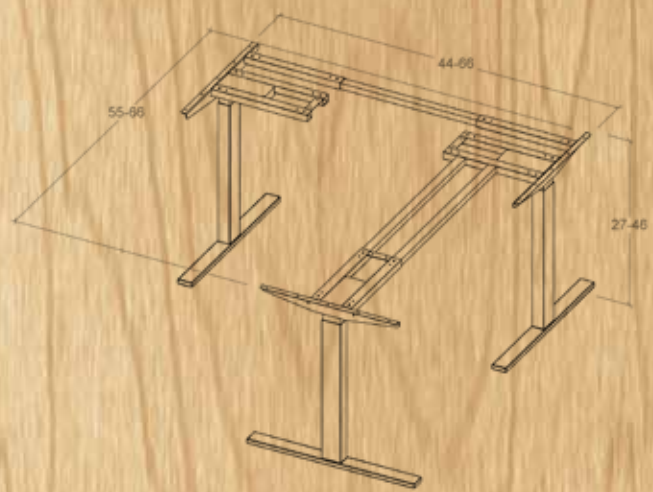
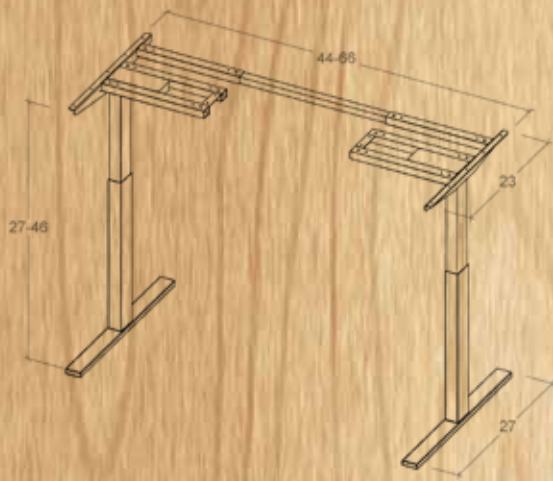




2015
Activate
Standing Desks



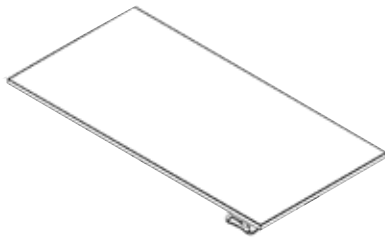


2-Leg

	MODEL	LIST
Sit/Stand Straight Desk Base	ASD-2LEG	\$1,556

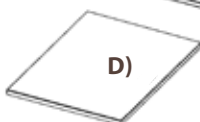
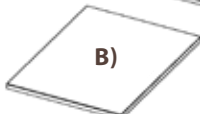
3-Leg

	MODEL	LIST
Sit/Stand L-Desk Base	ASD-3LEG	\$2,520



2- Leg Top Options

	MODEL	LIST
24x48" Rectangular Table Top	3737-2448	\$214
24x60" Rectangular Table Top	3737-2460	\$231
24x72" Rectangular Table Top	3737-2472	\$243
30x48" Rectangular Table Top	3737-3048	\$214
30x60" Rectangular Table Top	3737-3060	\$243
30x72" Rectangular Table Top	3737-3072	\$278



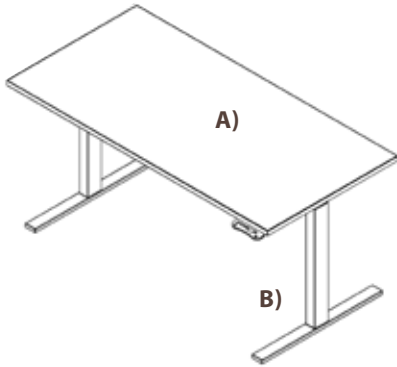
3- Leg Top Options

	MODEL	LIST
P-Table Top	A) 3384T-403072	\$379
24x32" Rectangular Table Top	B) 3737-2432	\$178
Extended Corner Top	C) 3135T-403072	\$459
24x32" Rectangular Table Top	D) 3737-2432	\$178

*Other tops available - contact us for pricing
 *Additional \$62 list to add grommet cutout

Suggested Layouts

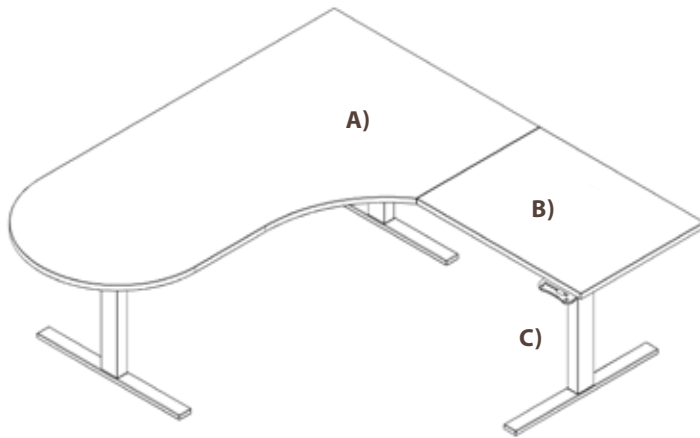
Mobilize Desk 30" x 48"



PIECES	LIST
A) 3737-3048	\$214
B) ASD-2LEG	\$1,556
TOTAL	\$1,770

A perfect solution to make your desk an active part of the day. Set your own heights with the included memory module, or move it up and down at your own discretion.

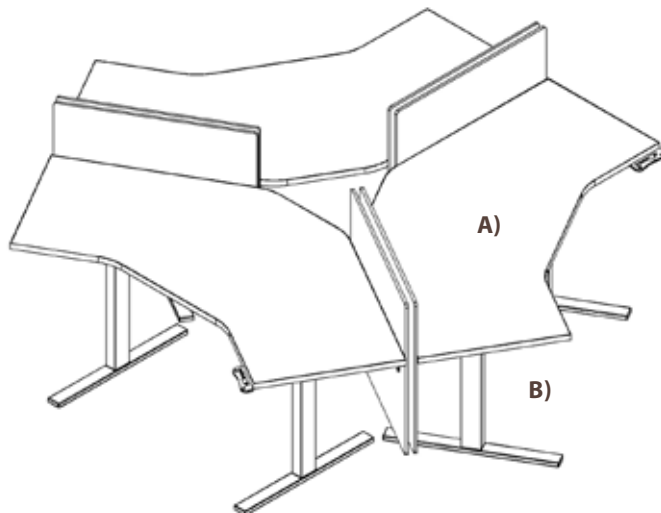
Prompt Workspace L-Shape



Add movement to your office and visitors will appreciate the variable meeting style options. Perfect for the person who needs a larger work space.
40" x 30" x 72" footprint

PIECES	LIST
A) 3384T-403072	\$379
B) 3737-2432	\$178
C) ASD-3LEG	\$2,520
TOTAL	\$3,077

Stir Station 120°



Create an environment of collaboration with this three-person layout. Your team will appreciate the opportunity to connect beyond their own desk. (Shown with Velo Privacy Screens - available separately)
24" x 52" x 76" footprint per desk

PIECES	LIST	TOTAL FOR PACKAGE
A) 120T-245276	\$423	\$1,269
B) ASD-2LEG	\$1,556	\$4,668
TOTAL	\$1,979	\$5,937

2015
Activate
Standing Desks Catalogue



All of Belair's products are made of commercial grade melamine with finish on both sides of all panels. Tops and ends are one inch thick with 3mm PVC edgebanding that can be colour matched to any of our 15 colours. The materials used in our manufacturing process are durable and affordable and have been the leading standard in the office furniture industry for many years.

A Note on Safety

It is suggested that the design and placement of Activate Standing Desks allows for appropriate distances between movable surfaces in order to avoid risk of injury. Pinch points in which fingers, arms, and legs can be caught between should be avoided at all times.